

# Double Row Terminal Blocks

## Kulka® 603 GP Series

### 600 Volts AC/DC (Classes B/C)



603 GP 06

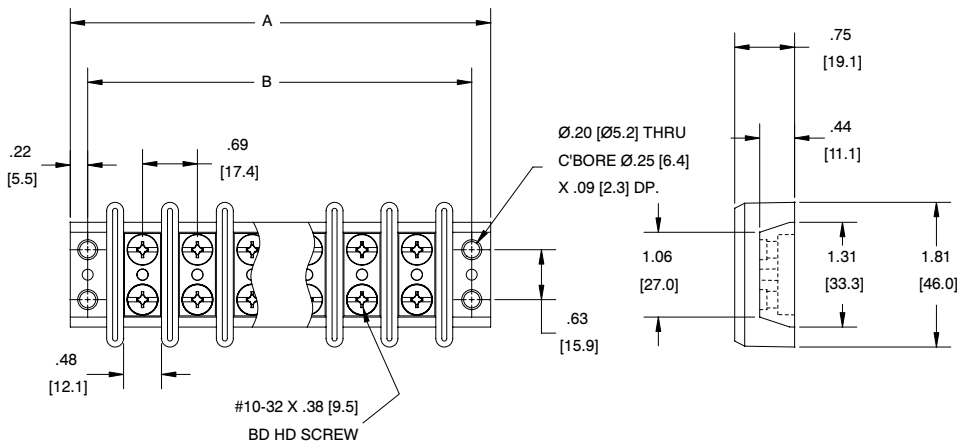
#### Specifications:

- Base, General Purpose Phenolic, 150°C (UL RTI)
- Open Back Design (Insulator Strip required for Voltage Rating - see page 112)
- JJ (GDI-30F) Material Available
- Screws, #10-32 Binder Head, Phil-Slot, Steel
- Terminals, Plated Brass
- 1-12 Poles
- 11/16" Centers
- Wire Range With Wire Binding Screw #10 - #16 AWG – 30 Amps
- 50 Amps with Listed Wire Lugs
- UL Recognized File No. XCFR2.E47811
- CSA Certified File No. LR19766
- $\text{CE}$
- RoHS Compliant

Kulka® Catalog #	# of poles	Dimensions	
		A	B
603 GP 01	1	1.81	1.38
603 GP 02	2	2.50	2.06
603 GP 03	3	3.19	2.75
603 GP 04	4	3.88	3.44
603 GP 05	5	4.56	4.12
603 GP 06	6	5.25	4.81
603 GP 07	7	5.94	5.50
603 GP 08	8	6.62	6.19
603 GP 09	9	7.31	6.88
603 GP 10	10	8.00	7.56
603 GP 11	11	8.68	8.25
603 GP 12	12	9.37	8.94

mm=dim X 25.4

For electronic drawings or 2D/3D CAD data, submit request at [www.marathonsp.com/drawings.html](http://www.marathonsp.com/drawings.html)



#### Hardware Options:

(Hardware options may affect ratings - consult Customer Service)

CATALOG #	PRODUCT DESCRIPTION	PAGE REFERENCE
MSP	KULKA	
KT67	Full Quick Connect (0° Flat)	See Page 105
KT68	Full Quick Connect (45° Bend)	See Page 105
KT69	Full Quick Connect (90° Bend)	See Page 105
KT64	Half Quick Connect (0° Flat)	See Page 105
KT65	Half Quick Connect (45° Bend)	See Page 105
KT66	Half Quick Connect (90° Bend)	See Page 105
Y	Feed Thru Solder (.60)	See Page 106
J 603	Line to Line Jumper	See Page 107
2302	Stud	See Page 109
PSB	Phil-Slot Brass Screw	Consult C/S

Quick Connects: .032" x .250"

See pages 104-115 for terminal block accessories